



PLASTICS - PACKAGING

# STOCK



**Zoppas Industries**  
*Heating Element Technologies*

# WARMING IDEAS

**HEATING ELEMENTS:** the core of heat and energy production.

Synergies with the companies in the Group “Zoppas Industries” operating in the industrial sector are a guarantee of high global competence. They ensure research into and proposals for high quality technical solutions that provide rapid response to our customers’ many different application needs, thanks to a sophisticated design system and the use of a wide range of materials for components.

Our customers’ ideas are the stimulus for analysing new opportunities and developing innovative projects. This allows Rica to be extremely versatile in production and affords a vast range from domestic applications, to industrial sectors.

## Zoppas Industries

*Heating Element Technologies*

**HEATING  
SYSTEMS**

**COMMERCIAL  
& COMFORT**

**COLD**

**ETCHED FOIL**

**PLASTICS**

**ELECTRONICS**



# TECHNOLOGY EVERYWHERE QUALITY INSIDE

Technology is everywhere and thanks to the invisible existence of high quality **HEATING ELEMENTS**, it can be used with maximum safety.



As a result of experience gained in different application sectors, RICA offers highly qualified technical consultancy and works in close collaboration with customers in all design stages and in compliance with the main certification and standards requirements.



The Rica divisions:

## HEATING SYSTEMS

Tubular heaters and systems for industrial applications.

## COMMERCIAL & COMFORT

Sheathed tubular elements and assemblies especially for the catering sector and commercial applications.

## COLD

Vulcanised sheathed tubular elements for defrosting and heating elements for household boilers.

## ETCHED FOIL

Etched foil technology flexible heating elements.

## PLASTICS

Cartridge heaters and assemblies for industry and household heating, band heaters and assemblies for the plastics industry.

## ELECTRONICS

Electronics controls applied to assemblies or elements for heat management.

### SYSTEM CERTIFICATION



FM 11234

### REGISTERED TRADE MARK OF OUR PRODUCTS



As a result of experience gained in different application sectors, RICA offers highly qualified technical consultancy and works in close collaboration with customers at all stages. RICA products are made to comply with the main certification requirements, the relevant technical norms, and the concept and instructions provided by customers, who will finish the idea for a final product and in particular make the choice of a given RICA product to use on their end applications.

The suitability and the completeness of the tag data and the technical and/or informational notes included in this catalogue must be examined by the client. It is the responsibility of the client to fully check the suitability of our product for the final use which is to be made of it.

# LET'S SHAPE HEAT



## PLASTICS

The Plastics Business Unit offers a full range of electric heaters and assemblies to manufacturers of machinery, moulds and tools for plastics and is a specialist in the production and construction of complete series of elements for integrated domestic heating used on radiators and towel warmers; we also supply many different industrial sectors.

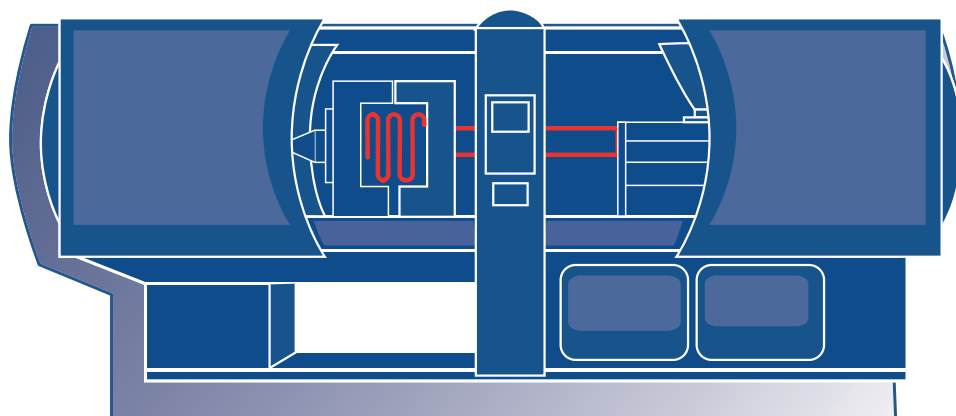
Knowledge acquired in over 20 years in the market and the use of synergies deriving from being part of the main European group in this field, allow us to meet all our customers' requirements with optimum solutions, supplying a high quality product that complies with European safety standards.



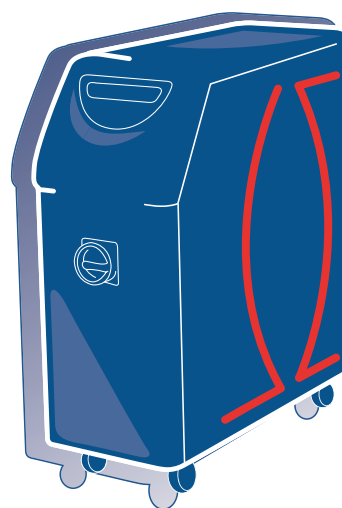
The **Plastics Business Unit** offers a complete range of heating elements and functional assemblies for the following sectors:

- Hot runners and molds for plastics sector
- Machines and tools for plastics
- Integrated household heating: towel warmers and radiators
- Pellets - fuelled stoves
- Packaging machinery
- Footwear machinery
- Various applications in medical and scientific fields
- Drinks vending machines and coffee makers
- Photography
- Wood-working machinery
- Moulds for ceramics
- Refrigerator absorption systems
- Compressors
- Burners
- Anti-condensation systems

## APPLICATIONS



PLASTICS



AUXILIARY  
EQUIPMENTS

## PRODUCTS



# PLASTICS PACKAGING

## AVAILABLE CODES

CARTRIDGE HEATING ELEMENTS ULTRAWATT - Metric dimensions ..... Pag. 10

CARTRIDGE HEATING ELEMENTS ULTRAWATT - Imperial dimensions ..... Pag. 18

STRAIGHT MICROCOIL HEATING ELEMENTS ..... Pag. 25

NOZZLE BAND HEATER - Small dimension ..... Pag. 30

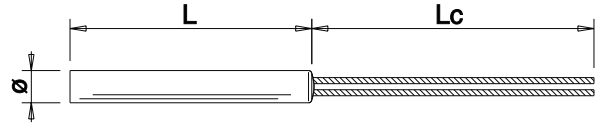
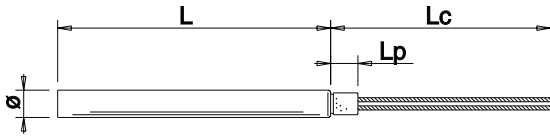
NOZZLE BAND HEATER - Sealed cup ..... Pag. 32

TUBULAR HEATERS ..... Pag. 37



## CARTRIDGE HEATING ELEMENTS - Ultrawatt

PLASTICS



### External connection

Cartridge heating elements with external ceramic isolator (max. 10mm).



### Internal connection

Cartridge heating element with flexible leads in Nickel, insulated in Teflon - Fiber Glass Silicon.

Standard leads length is 250mm, working voltage is 230 V.

Ultrawatt cartridge heating elements are the best choice to obtain high performances, they can reach temperature up to 860°C. They are mostly used to heat moulds, carry-moulds and flat dies in the Plastics industry.

Tolerance Diameter	Tolerance Length	Temperature	Power Tolerance
mm	mm	Max °C	W
-0.03 -0.08	±2%	860	+5 -10%

Due to the high specific powers and temperatures, it is necessary to bore the holes with H7 tolerance.

The cartridge heating elements are available also with incorporated thermocouple according to different ranges of temperatures. When ordering it is important to mention which type of thermocouples is necessary.

Code	Positive	Negative
J	Iron	Costantan
K	NiCr	Nichel



PLASTICS

## Metric dimensions

Article Code	Diameter (mm)	Length (mm)	Power (Watt)	Availability without thermocouple	Availability with J thermocouple
A0001	6,5	32	75		
A0002	6,5	32	100		
A0003	6,5	32	150		
A0004	6,5	32	175		
A0005	6,5	40	100		
A0006	6,5	40	125		
A0007	6,5	40	150		
A0008	6,5	40	175		
A0009	6,5	40	200		
A0010	6,5	40	250		
A0011	6,5	50	125		
A0012	6,5	50	150		
A0013	6,5	50	175		
A0014	6,5	50	200		
A0015	6,5	50	250		
A0016	6,5	60	125		
A0017	6,5	60	150		
A0018	6,5	60	175		
A0019	6,5	60	200		
A0020	6,5	60	250		
A0021	6,5	60	300		
A0022	6,5	80	125		
A0023	6,5	80	175		
A0024	6,5	80	200		
A0025	6,5	80	250		
A0026	6,5	80	300		
A0027	6,5	80	350		
A0028	6,5	100	125		
A0029	6,5	100	150		
A0030	6,5	100	200		
A0031	6,5	100	250		
A0032	6,5	100	300		
A0033	6,5	100	350		
A0034	6,5	100	400		
A0035	6,5	130	125		
A0036	6,5	130	150		
A0037	6,5	130	200		
A0038	6,5	130	250		
A0039	6,5	130	300		
A0040	6,5	130	350		
A0041	6,5	130	400		
A0042	6,5	160	150		
A0043	6,5	160	200		
A0044	6,5	160	300		

Article Code	Diameter (mm)	Length (mm)	Power (Watt)	Availability without thermocouple	Availability with J thermocouple
A0045	6,5	160	350		
A0046	6,5	160	400		
A0047	6,5	160	500		
B0048	8	32	200		
B0049	8	40	50		
B0050	8	40	100		
B0051	8	40	125		
B0052	8	40	150		
B0053	8	40	175		
B0054	8	40	200		
B0055	8	50	125		
B0056	8	50	150		
B0057	8	50	200		
B0058	8	50	250		
B0059	8	50	300		
B0060	8	60	125		
B0061	8	60	150		
B0062	8	60	200		
B0063	8	60	250		
B0064	8	60	300		
B0065	8	60	400		
B0066	8	80	150		
B0067	8	80	175		
B0068	8	80	200		
B0069	8	80	250		
B0070	8	80	300		
B0071	8	80	350		
B0072	8	80	400		
B0073	8	80	500		
B0074	8	100	175		
B0075	8	100	200		
B0076	8	100	250		
B0077	8	100	300		
B0078	8	100	400		
B0079	8	100	600		
B0080	8	100	750		
B0081	8	130	175		
B0082	8	130	200		
B0083	8	130	250		
B0084	8	130	300		
B0085	8	130	400		
B0086	8	130	500		
B0087	8	130	750		
B0088	8	160	200		



PLASTICS

Article Code	Diameter (mm)	Length (mm)	Power (Watt)	Availability without thermocouple	Availability with J thermocouple
B0089	8	160	250		
B0090	8	160	300		
B0091	8	160	400		
B0092	8	160	500		
B0093	8	160	600		
B0094	8	160	750		
C0095	10	32	75		
C0096	10	32	100		
C0097	10	32	150		
C0098	10	32	200		
C0099	10	40	100		
C0100	10	40	125		
C0101	10	40	150		
C0102	10	40	200		
C0103	10	40	250		
C0104	10	40	300		
C0105	10	50	125		
C0106	10	50	150		
C0107	10	50	200		
C0108	10	50	250		
C0109	10	50	300		
C0110	10	50	400		
C0111	10	60	125		
C0112	10	60	150		
C0113	10	60	200		
C0114	10	60	250		
C0115	10	60	300		
C0116	10	60	400		
C0117	10	60	500		
C0118	10	80	150		
C0119	10	80	200		
C0120	10	80	250		
C0121	10	80	300		
C0122	10	80	400		
C0123	10	80	500		
C0124	10	80	630		
C0125	10	80	750		
C0126	10	100	200		
C0127	10	100	250		
C0128	10	100	300		
C0129	10	100	350		
C0130	10	100	400		
C0131	10	100	500		
C0132	10	100	600		
C0133	10	100	700		

Article Code	Diameter (mm)	Length (mm)	Power (Watt)	Availability without thermocouple	Availability with J thermocouple
C0134	10	100	750		
C0135	10	100	1000		
C0136	10	130	250		
C0137	10	130	300		
C0138	10	130	400		
C0139	10	130	500		
C0140	10	130	600		
C0141	10	130	750		
C0142	10	130	800		
C0143	10	130	1000		
C0144	10	160	300		
C0145	10	160	400		
C0146	10	160	500		
C0147	10	160	600		
C0148	10	160	750		
C0149	10	160	800		
C0150	10	200	400		
C0151	10	200	500		
C0152	10	200	600		
C0153	10	200	750		
C0154	10	200	1000		
C0155	10	250	1000		
D0156	12,5	40	125		
D0157	12,5	40	160		
D0158	12,5	40	200		
D0159	12,5	40	250		
D0160	12,5	40	300		
D0161	12,5	40	350		
D0162	12,5	40	400		
D0163	12,5	40	500		
D0164	12,5	50	160		
D0165	12,5	50	200		
D0166	12,5	50	250		
D0167	12,5	50	300		
D0168	12,5	50	350		
D0169	12,5	50	400		
D0170	12,5	50	500		
D0171	12,5	50	600		
D0172	12,5	60	125		
D0173	12,5	60	160		
D0174	12,5	60	200		
D0175	12,5	60	250		
D0176	12,5	60	300		
D0177	12,5	60	350		
D0178	12,5	60	400		



PLASTICS

Article Code	Diameter (mm)	Length (mm)	Power (Watt)	Availability without thermocouple	Availability with J thermocouple
D0179	12,5	60	500		
D0180	12,5	60	600		
D0181	12,5	80	125		
D0182	12,5	80	160		
D0183	12,5	80	200		
D0184	12,5	80	250		
D0185	12,5	80	300		
D0186	12,5	80	350		
D0187	12,5	80	400		
D0188	12,5	80	500		
D0189	12,5	80	600		
D0190	12,5	80	750		
D0191	12,5	100	160		
D0192	12,5	100	200		
D0193	12,5	100	250		
D0194	12,5	100	300		
D0195	12,5	100	400		
D0196	12,5	100	500		
D0197	12,5	100	600		
D0198	12,5	100	750		
D0199	12,5	100	800		
D0200	12,5	100	1000		
D0201	12,5	130	250		
D0202	12,5	130	350		
D0203	12,5	130	400		
D0204	12,5	130	500		
D0205	12,5	130	600		
D0206	12,5	130	750		
D0207	12,5	130	800		
D0208	12,5	130	1000		
D0209	12,5	160	400		
D0210	12,5	160	500		
D0211	12,5	160	600		
D0212	12,5	160	800		
D0213	12,5	160	1000		
D0214	12,5	160	1200		
D0215	12,5	160	1500		
D0216	12,5	200	300		
D0217	12,5	200	500		
D0218	12,5	200	600		
D0219	12,5	200	800		
D0220	12,5	200	1000		
D0221	12,5	200	1200		
D0222	12,5	200	1500		
D0223	12,5	200	2000		

Article Code	Diameter (mm)	Length (mm)	Power (Watt)	Availability without thermocouple	Availability with J thermocouple
D0224	12,5	250	500		
D0225	12,5	250	800		
D0226	12,5	250	1000		
D0227	12,5	250	1250		
D0228	12,5	250	1500		
D0229	12,5	250	2000		
D0230	12,5	300	500		
D0231	12,5	300	800		
D0232	12,5	300	1000		
D0233	12,5	300	1250		
D0234	12,5	300	1500		
D0235	12,5	300	2000		
E0236	16	40	160		
E0237	16	40	200		
E0238	16	40	250		
E0239	16	40	300		
E0240	16	40	400		
E0241	16	40	500		
E0242	16	50	160		
E0243	16	50	200		
E0244	16	50	250		
E0245	16	50	315		
E0246	16	50	400		
E0247	16	50	500		
E0248	16	50	600		
E0249	16	60	160		
E0250	16	60	200		
E0251	16	60	250		
E0252	16	60	300		
E0253	16	60	400		
E0254	16	60	500		
E0255	16	60	600		
E0256	16	80	250		
E0257	16	80	300		
E0258	16	80	400		
E0259	16	80	500		
E0260	16	80	600		
E0261	16	80	750		
E0262	16	80	800		
E0263	16	80	1000		
E0264	16	100	300		
E0265	16	100	400		
E0266	16	100	500		
E0267	16	100	600		
E0268	16	100	750		



PLASTICS

Article Code	Diameter (mm)	Length (mm)	Power (Watt)	Availability without thermocouple	Availability with J thermocouple
E0269	16	100	800		
E0270	16	100	1000		
E0271	16	100	1200		
E0272	16	130	400		
E0273	16	130	500		
E0274	16	130	600		
E0275	16	130	750		
E0276	16	130	800		
E0277	16	130	1000		
E0278	16	130	1200		
E0279	16	130	1500		
E0280	16	160	400		
E0281	16	160	500		
E0282	16	160	600		
E0283	16	160	750		
E0284	16	160	800		
E0285	16	160	900		
E0286	16	160	1000		
E0287	16	160	1250		
E0288	16	160	1500		
E0289	16	160	1600		
E0290	16	180	850		
E0291	16	180	1000		
E0292	16	180	1250		
E0293	16	200	500		
E0294	16	200	800		
E0295	16	200	1000		
E0296	16	200	1250		
E0297	16	200	1500		
E0298	16	200	2000		
E0299	16	250	500		
E0300	16	250	800		
E0301	16	250	1000		
E0302	16	250	1300		
E0303	16	250	1600		
E0304	16	250	2000		
E0305	16	300	500		
E0306	16	300	800		
E0307	16	300	1000		
E0308	16	300	1300		
E0309	16	300	1500		
E0310	16	300	1800		
E0311	16	300	2000		
E0312	16	300	2500		

Article Code	Diameter (mm)	Length (mm)	Power (Watt)	Availability without thermocouple	Availability with J thermocouple
F0313	20	60	200		
F0314	20	60	300		
F0315	20	60	500		
F0316	20	60	600		
F0317	20	60	800		
F0318	20	80	300		
F0319	20	80	400		
F0320	20	80	500		
F0321	20	80	600		
F0322	20	80	800		
F0323	20	80	1000		
F0324	20	80	1250		
F0325	20	100	350		
F0326	20	100	450		
F0327	20	100	600		
F0328	20	100	800		
F0329	20	100	1000		
F0330	20	100	1400		
F0331	20	100	1600		
F0332	20	130	400		
F0333	20	130	500		
F0334	20	130	600		
F0335	20	130	800		
F0336	20	130	1000		
F0337	20	130	1500		
F0338	20	130	2000		
F0339	20	160	500		
F0340	20	160	800		
F0341	20	160	1000		
F0342	20	160	1500		
F0343	20	160	2000		
F0344	20	200	800		
F0345	20	200	1000		
F0346	20	200	1500		
F0347	20	200	1800		
F0348	20	200	2000		
F0349	20	200	2500		
F0350	20	300	1000		
F0351	20	300	1500		
F0352	20	300	2000		
F0353	20	300	2500		

PLASTICS

## Imperial dimensions

Article Code	Diameter (mm - inch)	Length (mm - inch)	Power (Watt)	Availability without thermocouple	Availability with J thermocouple
G0354	6,35 (1/4")	25,4 (1")	100		
G0355	6,35 (1/4")	31,75 (1"1/4)	75		
G0356	6,35 (1/4")	31,75 (1"1/4)	100		
G0357	6,35 (1/4")	31,75 (1"1/4)	150		
G0358	6,35 (1/4")	31,75 (1"1/4)	175		
G0359	6,35 (1/4")	38,1 (1"1/2)	75		
G0360	6,35 (1/4")	38,1 (1"1/2)	100		
G0361	6,35 (1/4")	38,1 (1"1/2)	125		
G0362	6,35 (1/4")	38,1 (1"1/2)	150		
G0363	6,35 (1/4")	38,1 (1"1/2)	175		
G0364	6,35 (1/4")	38,1 (1"1/2)	200		
G0365	6,35 (1/4")	38,1 (1"1/2)	250		
G0366	6,35 (1/4")	50,8 (2")	100		
G0367	6,35 (1/4")	50,8 (2")	125		
G0368	6,35 (1/4")	50,8 (2")	150		
G0369	6,35 (1/4")	50,8 (2")	175		
G0370	6,35 (1/4")	50,8 (2")	200		
G0371	6,35 (1/4")	50,8 (2")	250		
G0372	6,35 (1/4")	50,8 (2")	300		
G0373	6,35 (1/4")	63,5 (2"1/2)	100		
G0374	6,35 (1/4")	63,5 (2"1/2)	125		
G0375	6,35 (1/4")	63,5 (2"1/2)	150		
G0376	6,35 (1/4")	63,5 (2"1/2)	175		
G0377	6,35 (1/4")	63,5 (2"1/2)	200		
G0378	6,35 (1/4")	63,5 (2"1/2)	250		
G0379	6,35 (1/4")	63,5 (2"1/2)	300		
G0380	6,35 (1/4")	76,2 (3")	100		
G0381	6,35 (1/4")	76,2 (3")	150		
G0382	6,35 (1/4")	76,2 (3")	175		
G0383	6,35 (1/4")	76,2 (3")	200		
G0384	6,35 (1/4")	76,2 (3")	250		
G0385	6,35 (1/4")	76,2 (3")	300		
G0386	6,35 (1/4")	76,2 (3")	400		
G0387	6,35 (1/4")	88,9 (3"1/2)	150		
G0388	6,35 (1/4")	88,9 (3"1/2)	200		
G0389	6,35 (1/4")	88,9 (3"1/2)	250		
G0390	6,35 (1/4")	88,9 (3"1/2)	300		
G0391	6,35 (1/4")	88,9 (3"1/2)	350		
G0392	6,35 (1/4")	88,9 (3"1/2)	400		
G0393	6,35 (1/4")	101,6 (4")	125		
G0394	6,35 (1/4")	101,6 (4")	150		
G0395	6,35 (1/4")	101,6 (4")	175		
G0396	6,35 (1/4")	101,6 (4")	200		
G0397	6,35 (1/4")	101,6 (4")	250		
G0398	6,35 (1/4")	101,6 (4")	300		

Article Code	Diameter (mm - inch)	Length (mm - inch)	Power (Watt)	Availability without thermocouple	Availability with J thermocouple
G0399	6,35 (1/4")	101,6 (4")	350		
G0400	6,35 (1/4")	101,6 (4")	400		
G0401	6,35 (1/4")	127 (5")	150		
G0402	6,35 (1/4")	127 (5")	200		
G0403	6,35 (1/4")	127 (5")	250		
G0404	6,35 (1/4")	127 (5")	300		
G0405	6,35 (1/4")	127 (5")	350		
G0406	6,35 (1/4")	127 (5")	400		
G0407	6,35 (1/4")	127 (5")	450		
G0408	6,35 (1/4")	152,4(6")	150		
G0409	6,35 (1/4")	152,4(6")	200		
G0410	6,35 (1/4")	152,4(6")	300		
G0411	6,35 (1/4")	152,4(6")	350		
G0412	6,35 (1/4")	152,4(6")	400		
G0413	6,35 (1/4")	152,4(6")	500		
G0414	6,35 (1/4")	177,8(7")	250		
H0415	9,52 (3/8")	31,75 (1"1/4)	75		
H0416	9,52 (3/8")	31,75 (1"1/4)	100		
H0417	9,52 (3/8")	31,75 (1"1/4)	150		
H0418	9,52 (3/8")	31,75 (1"1/4)	200		
H0419	9,52 (3/8")	38,1 (1"1/2)	100		
H0420	9,52 (3/8")	38,1 (1"1/2)	125		
H0421	9,52 (3/8")	38,1 (1"1/2)	150		
H0422	9,52 (3/8")	38,1 (1"1/2)	200		
H0423	9,52 (3/8")	38,1 (1"1/2)	250		
H0424	9,52 (3/8")	38,1 (1"1/2)	400		
H0425	9,52 (3/8")	50,8 (2")	100		
H0426	9,52 (3/8")	50,8 (2")	125		
H0427	9,52 (3/8")	50,8 (2")	150		
H0428	9,52 (3/8")	50,8 (2")	175		
H0429	9,52 (3/8")	50,8 (2")	200		
H0430	9,52 (3/8")	50,8 (2")	250		
H0431	9,52 (3/8")	50,8 (2")	300		
H0432	9,52 (3/8")	50,8 (2")	400		
H0433	9,52 (3/8")	50,8 (2")	500		
H0434	9,52 (3/8")	63,5 (2"1/2)	100		
H0435	9,52 (3/8")	63,5 (2"1/2)	125		
H0436	9,52 (3/8")	63,5 (2"1/2)	150		
H0437	9,52 (3/8")	63,5 (2"1/2)	200		
H0438	9,52 (3/8")	63,5 (2"1/2)	250		
H0439	9,52 (3/8")	63,5 (2"1/2)	300		
H0440	9,52 (3/8")	63,5 (2"1/2)	350		
H0441	9,52 (3/8")	63,5 (2"1/2)	400		
H0442	9,52 (3/8")	76,2 (3")	150		
H0443	9,52 (3/8")	76,2 (3")	200		



PLASTICS

Article Code	Diameter (mm - inch)	Length (mm - inch)	Power (Watt)	Availability without thermocouple	Availability with J thermocouple
H0444	9,52 (3/8")	76,2 (3")	250		
H0445	9,52 (3/8")	76,2 (3")	300		
H0446	9,52 (3/8")	76,2 (3")	400		
H0447	9,52 (3/8")	76,2 (3")	500		
H0448	9,52 (3/8")	76,2 (3")	600		
H0449	9,52 (3/8")	88,9 (3"1/2)	250		
H0450	9,52 (3/8")	88,9 (3"1/2)	300		
H0451	9,52 (3/8")	88,9 (3"1/2)	350		
H0452	9,52 (3/8")	88,9 (3"1/2)	400		
H0453	9,52 (3/8")	88,9 (3"1/2)	500		
H0454	9,52 (3/8")	101,6 (4")	150		
H0455	9,52 (3/8")	101,6 (4")	200		
H0456	9,52 (3/8")	101,6 (4")	250		
H0457	9,52 (3/8")	101,6 (4")	300		
H0458	9,52 (3/8")	101,6 (4")	400		
H0459	9,52 (3/8")	101,6 (4")	500		
H0460	9,52 (3/8")	101,6 (4")	600		
H0461	9,52 (3/8")	101,6 (4")	750		
H0462	9,52 (3/8")	127 (5")	175		
H0463	9,52 (3/8")	127 (5")	250		
H0464	9,52 (3/8")	127 (5")	300		
H0465	9,52 (3/8")	127 (5")	400		
H0466	9,52 (3/8")	127 (5")	500		
H0467	9,52 (3/8")	127 (5")	800		
H0468	9,52 (3/8")	127 (5")	1000		
H0469	9,52 (3/8")	152,4 (6")	250		
H0470	9,52 (3/8")	152,4 (6")	300		
H0471	9,52 (3/8")	152,4 (6")	400		
H0472	9,52 (3/8")	152,4 (6")	500		
H0473	9,52 (3/8")	152,4 (6")	600		
H0474	9,52 (3/8")	152,4 (6")	800		
H0475	9,52 (3/8")	152,4 (6")	1000		
H0476	9,52 (3/8")	165,1 (6"1/2)	400		
H0477	9,52 (3/8")	177,8 (7")	350		
H0478	9,52 (3/8")	177,8 (7")	400		
H0479	9,52 (3/8")	177,8 (7")	500		
H0480	9,52 (3/8")	177,8 (7")	600		
H0481	9,52 (3/8")	177,8 (7")	750		
H0482	9,52 (3/8")	177,8 (7")	1000		
H0483	9,52 (3/8")	203,2 (8")	300		
H0484	9,52 (3/8")	203,2 (8")	400		
H0485	9,52 (3/8")	203,2 (8")	500		
H0486	9,52 (3/8")	203,2 (8")	600		
H0487	9,52 (3/8")	203,2 (8")	750		
H0488	9,52 (3/8")	203,2 (8")	1000		
H0489	9,52 (3/8")	203,2 (8")	1500		

Article Code	Diameter (mm - inch)	Length (mm - inch)	Power (Watt)	Availability without thermocouple	Availability with J thermocouple
I0490	12,7 (1/2")	38,1 (1"1/2)	125		
I0491	12,7 (1/2")	38,1 (1"1/2)	150		
I0492	12,7 (1/2")	38,1 (1"1/2)	200		
I0493	12,7 (1/2")	38,1 (1"1/2)	250		
I0494	12,7 (1/2")	38,1 (1"1/2)	300		
I0495	12,7 (1/2")	50,8 (2")	150		
I0496	12,7 (1/2")	50,8 (2")	200		
I0497	12,7 (1/2")	50,8 (2")	250		
I0498	12,7 (1/2")	50,8 (2")	300		
I0499	12,7 (1/2")	50,8 (2")	400		
I0500	12,7 (1/2")	50,8 (2")	500		
I0501	12,7 (1/2")	63,5 (2"1/2)	150		
I0502	12,7 (1/2")	63,5 (2"1/2)	250		
I0503	12,7 (1/2")	63,5 (2"1/2)	300		
I0504	12,7 (1/2")	63,5 (2"1/2)	400		
I0505	12,7 (1/2")	63,5 (2"1/2)	500		
I0506	12,7 (1/2")	76,2 (3")	200		
I0507	12,7 (1/2")	76,2 (3")	250		
I0508	12,7 (1/2")	76,2 (3")	300		
I0509	12,7 (1/2")	76,2 (3")	400		
I0510	12,7 (1/2")	76,2 (3")	500		
I0511	12,7 (1/2")	76,2 (3")	600		
I0512	12,7 (1/2")	76,2 (3")	750		
I0513	12,7 (1/2")	88,9 (3"1/2)	250		
I0514	12,7 (1/2")	88,9 (3"1/2)	300		
I0515	12,7 (1/2")	88,9 (3"1/2)	350		
I0516	12,7 (1/2")	88,9 (3"1/2)	500		
I0517	12,7 (1/2")	88,9 (3"1/2)	750		
I0518	12,7 (1/2")	101,6 (4")	250		
I0519	12,7 (1/2")	101,6 (4")	300		
I0520	12,7 (1/2")	101,6 (4")	350		
I0521	12,7 (1/2")	101,6 (4")	400		
I0522	12,7 (1/2")	101,6 (4")	500		
I0523	12,7 (1/2")	101,6 (4")	600		
I0524	12,7 (1/2")	101,6 (4")	800		
I0525	12,7 (1/2")	101,6 (4")	1000		
I0526	12,7 (1/2")	127 (5")	300		
I0527	12,7 (1/2")	127 (5")	350		
I0528	12,7 (1/2")	127 (5")	400		
I0529	12,7 (1/2")	127 (5")	500		
I0530	12,7 (1/2")	127 (5")	600		
I0531	12,7 (1/2")	127 (5")	750		
I0532	12,7 (1/2")	127 (5")	900		
I0533	12,7 (1/2")	127 (5")	1000		



PLASTICS

Article Code	Diameter (mm - inch)	Length (mm - inch)	Power (Watt)	Availability without thermocouple	Availability with J thermocouple
I0534	12,7 (1/2")	152,4 (6")	300		
I0535	12,7 (1/2")	152,4 (6")	400		
I0536	12,7 (1/2")	152,4 (6")	500		
I0537	12,7 (1/2")	152,4 (6")	600		
I0538	12,7 (1/2")	152,4 (6")	750		
I0539	12,7 (1/2")	152,4 (6")	850		
I0540	12,7 (1/2")	152,4 (6")	1000		
I0541	12,7 (1/2")	165,1 (6"1/2)	1000		
I0542	12,7 (1/2")	177,8 (7")	500		
I0543	12,7 (1/2")	177,8 (7")	600		
I0544	12,7 (1/2")	177,8 (7")	700		
I0545	12,7 (1/2")	177,8 (7")	1000		
I0546	12,7 (1/2")	203,2 (8")	500		
I0547	12,7 (1/2")	203,2 (8")	800		
I0548	12,7 (1/2")	203,2 (8")	1000		
I0549	12,7 (1/2")	203,2 (8")	1500		
I0550	12,7 (1/2")	203,2 (8")	2000		
I0551	12,7 (1/2")	228,6 (9")	500		
I0552	12,7 (1/2")	228,6 (9")	600		
I0553	12,7 (1/2")	228,6 (9")	750		
I0554	12,7 (1/2")	228,6 (9")	1000		
I0555	12,7 (1/2")	228,6 (9")	1200		
I0556	12,7 (1/2")	228,6 (9")	1500		
I0557	12,7 (1/2")	254 (10")	500		
I0558	12,7 (1/2")	254 (10")	750		
I0559	12,7 (1/2")	254 (10")	1000		
I0560	12,7 (1/2")	254 (10")	1200		
I0561	12,7 (1/2")	254 (10")	1500		
I0562	12,7 (1/2")	254 (10")	2000		
I0563	12,7 (1/2")	279,4 (11")	800		
I0564	12,7 (1/2")	304,8 (12")	600		
I0565	12,7 (1/2")	304,8 (12")	800		
I0566	12,7 (1/2")	304,8 (12")	1000		
I0567	12,7 (1/2")	304,8 (12")	1500		
I0568	12,7 (1/2")	304,8 (12")	2000		
L0569	15,87 (5/8)	50,8 (2")	200		
L0570	15,87 (5/8)	50,8 (2")	300		
L0571	15,87 (5/8)	50,8 (2")	500		
L0572	15,87 (5/8)	63,5 (2"1/2)	175		
L0573	15,87 (5/8)	63,5 (2"1/2)	250		
L0574	15,87 (5/8)	63,5 (2"1/2)	300		
L0575	15,87 (5/8)	63,5 (2"1/2)	400		
L0576	15,87 (5/8)	63,5 (2"1/2)	500		
L0577	15,87 (5/8)	63,5 (2"1/2)	750		
L0578	15,87 (5/8)	76,2 (3")	250		

Article Code	Diameter (mm - inch)	Length (mm - inch)	Power (Watt)	Availability without thermocouple	Availability with J thermocouple
L0579	15,87 (5/8)	76,2 (3")	300		
L0580	15,87 (5/8)	76,2 (3")	400		
L0581	15,87 (5/8)	76,2 (3")	500		
L0582	15,87 (5/8)	76,2 (3")	600		
L0583	15,87 (5/8)	76,2 (3")	750		
L0584	15,87 (5/8)	76,2 (3")	1000		
L0585	15,87 (5/8)	101,6 (4")	300		
L0586	15,87 (5/8)	101,6 (4")	400		
L0587	15,87 (5/8)	101,6 (4")	500		
L0588	15,87 (5/8)	101,6 (4")	600		
L0589	15,87 (5/8)	101,6 (4")	750		
L0590	15,87 (5/8)	101,6 (4")	1000		
L0591	15,87 (5/8)	101,6 (4")	1200		
L0592	15,87 (5/8)	127 (5")	400		
L0593	15,87 (5/8)	127 (5")	500		
L0594	15,87 (5/8)	127 (5")	600		
L0595	15,87 (5/8)	127 (5")	800		
L0596	15,87 (5/8)	127 (5")	1000		
L0597	15,87 (5/8)	127 (5")	1300		
L0598	15,87 (5/8)	152,4 (6")	400		
L0599	15,87 (5/8)	152,4 (6")	600		
L0600	15,87 (5/8)	152,4 (6")	800		
L0601	15,87 (5/8)	152,4 (6")	1000		
L0602	15,87 (5/8)	152,4 (6")	1500		
L0603	15,87 (5/8)	177,8 (7")	500		
L0604	15,87 (5/8)	177,8 (7")	600		
L0605	15,87 (5/8)	177,8 (7")	1000		
L0606	15,87 (5/8)	177,8 (7")	1500		
L0607	15,87 (5/8)	203,2 (8")	500		
L0608	15,87 (5/8)	203,2 (8")	750		
L0609	15,87 (5/8)	203,2 (8")	1000		
L0610	15,87 (5/8)	203,2 (8")	1200		
L0611	15,87 (5/8)	203,2 (8")	1500		
L0612	15,87 (5/8)	203,2 (8")	2000		
L0613	15,87 (5/8)	228,6 (9")	500		
L0614	15,87 (5/8)	228,6 (9")	1000		
L0615	15,87 (5/8)	228,6 (9")	1250		
L0616	15,87 (5/8)	228,6 (9")	1300		
L0617	15,87 (5/8)	254 (10")	750		
L0618	15,87 (5/8)	254 (10")	1000		
L0619	15,87 (5/8)	254 (10")	1300		
L0620	15,87 (5/8)	254 (10")	1600		
L0621	15,87 (5/8)	254 (10")	2000		
L0622	15,87 (5/8)	304,8 (12")	750		
L0623	15,87 (5/8)	304,8 (12")	1000		

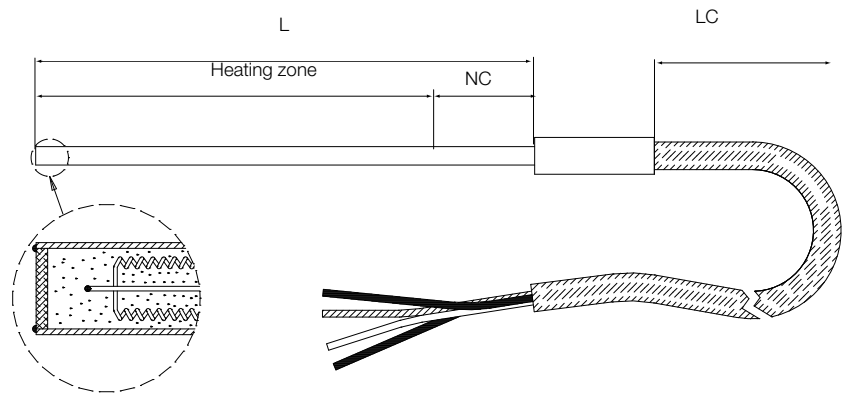
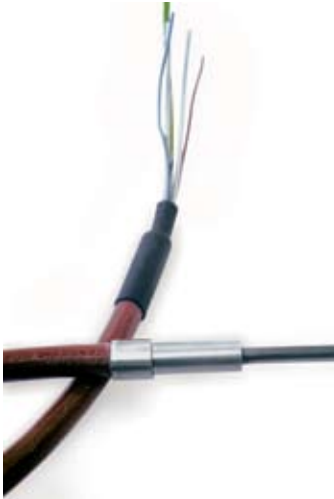


PLASTICS

Article Code	Diameter (mm - inch)	Length (mm - inch)	Power (Watt)	Availability without thermocouple	Availability with J thermocouple
L0624	15,87 (5/8)	304,8 (12")	1500		
L0625	15,87 (5/8)	304,8 (12")	1800		
L0626	15,87 (5/8)	304,8 (12")	2000		
L0627	15,87 (5/8)	304,8 (12")	2500		
M0628	19,05 (3/4")	76,2 (3")	300		
M0629	19,05 (3/4")	76,2 (3")	400		
M0630	19,05 (3/4")	76,2 (3")	500		
M0631	19,05 (3/4")	101,6 (4")	350		
M0632	19,05 (3/4")	101,6 (4")	450		
M0633	19,05 (3/4")	101,6 (4")	600		
M0634	19,05 (3/4")	101,6 (4")	1000		
M0635	19,05 (3/4")	127 (5")	400		
M0636	19,05 (3/4")	127 (5")	500		
M0637	19,05 (3/4")	127 (5")	1000		
M0638	19,05 (3/4")	127 (5")	1500		
M0639	19,05 (3/4")	152,4 (6")	350		
M0640	19,05 (3/4")	152,4 (6")	500		
M0641	19,05 (3/4")	152,4 (6")	1000		
M0642	19,05 (3/4")	152,4 (6")	1500		
M0643	19,05 (3/4")	203,2 (8")	500		
M0644	19,05 (3/4")	203,2 (8")	600		
M0645	19,05 (3/4")	203,2 (8")	1000		
M0646	19,05 (3/4")	203,2 (8")	2000		
M0647	19,05 (3/4")	254 (10")	800		
M0648	19,05 (3/4")	254 (10")	1000		
M0649	19,05 (3/4")	254 (10")	2000		
M0650	19,05 (3/4")	304,8 (12")	800		
M0651	19,05 (3/4")	304,8 (12")	1000		
M0652	19,05 (3/4")	304,8 (12")	1500		
M0653	19,05 (3/4")	304,8 (12")	2000		
M0654	19,05 (3/4")	304,8 (12")	2500		

## STRAIGHT MICROCOIL HEATING ELEMENTS

PLASTICS



Microcoil heating elements are designed to solve critical heating problems where there is little room to apply the heaters. They are mainly used for the nozzle heating on hot runner systems in the plastics industry and also in textile industry and in packaging.

- The available codes adopt a silicon-fiber glass sleeve and thermo shrinking (see above picture).
- The cold zone (Nc) is 40mm and the standard length leads is 1000mm, working voltage is 230 Volt.
- External sheath is made in AISI 304, tolerance on power is  $\pm 10\%$  and tolerance on length is  $\pm 2,5\%$ .

### □ 3.2 X 1.8

Article Code	Section (mm)	Length (mm)	Power (W)	Availability
5C102000150X	3.2 X 1.8	200	150	
5C102500175X	3.2 X 1.8	250	175	
5C103000200X	3.2 X 1.8	300	200	
5C103500225X	3.2 X 1.8	350	225	
5C104000250X	3.2 X 1.8	400	250	
5C104500290X	3.2 X 1.8	450	290	
5C105000330X	3.2 X 1.8	500	330	
5C106000400X	3.2 X 1.8	600	400	
5C107000470X	3.2 X 1.8	700	470	
5C108000550X	3.2 X 1.8	800	550	
5C109000620X	3.2 X 1.8	900	620	
5C110000700X	3.2 X 1.8	1000	700	
5C111000750X	3.2 X 1.8	1100	750	
5C111500800X	3.2 X 1.8	1150	800	
5C112000850X	3.2 X 1.8	1200	850	
5C112500900X	3.2 X 1.8	1250	900	
5C113500900X	3.2 X 1.8	1350	900	
5C114001000K	3.2 X 1.8	1400	1000	
5C115001000X	3.2 X 1.8	1500	1000	
5C116001000X	3.2 X 1.8	1600	1000	



PLASTICS

4.0 X 2.5

Article Code	Section (mm)	Length (mm)	Power (W)	Availability
5C202500200X	4.0 X 2.5	250	200	
5C203000225X	4.0 X 2.5	300	225	
5C203500250X	4.0 X 2.5	350	250	
5C204000290X	4.0 X 2.5	400	290	
5C204500330X	4.0 X 2.5	450	330	
5C205000400X	4.0 X 2.5	500	400	
5C206000470X	4.0 X 2.5	600	470	
5C207000550X	4.0 X 2.5	700	550	
5C208000620X	4.0 X 2.5	800	620	
5C209000700X	4.0 X 2.5	900	700	
5C210000850X	4.0 X 2.5	1000	850	
5C212000950X	4.0 X 2.5	1200	950	
5C214001100X	4.0 X 2.5	1400	1100	
5C216001200X	4.0 X 2.5	1600	1200	

4.0 X 2.5 + K thermocouple

Article Code	Section (mm)	Length (mm)	Power (W)	Availability
5C202500200K	4.0 X 2.5	250	200	
5C203000225K	4.0 X 2.5	300	225	
5C203500250K	4.0 X 2.5	350	250	
5C204000290K	4.0 X 2.5	400	290	
5C204500330K	4.0 X 2.5	450	330	
5C205000400K	4.0 X 2.5	500	400	
5C206000470K	4.0 X 2.5	600	470	
5C207000550K	4.0 X 2.5	700	550	
5C208000620K	4.0 X 2.5	800	620	
5C209000700K	4.0 X 2.5	900	700	
5C210000850K	4.0 X 2.5	1000	850	
5C212000950K	4.0 X 2.5	1200	950	
5C214001100K	4.0 X 2.5	1400	1100	
5C216001200K	4.0 X 2.5	1600	1200	

4.0 X 2.5 + J thermocouple

Article Code	Section (mm)	Length (mm)	Power (W)	Availability
5C202500200J	4.0 X 2.5	250	200	
5C203000225J	4.0 X 2.5	300	225	
5C203500250J	4.0 X 2.5	350	250	
5C204000290J	4.0 X 2.5	400	290	
5C204500330J	4.0 X 2.5	450	330	
5C205000400J	4.0 X 2.5	500	400	

PLASTICS

Article Code	Section (mm)	Length (mm)	Power (W)	Availability
5C206000470J	4.0 X 2.5	600	470	
5C207000550J	4.0 X 2.5	700	550	
5C208000620J	4.0 X 2.5	800	620	
5C209000700J	4.0 X 2.5	900	700	
5C210000850J	4.0 X 2.5	1000	850	
5C212000950J	4.0 X 2.5	1200	950	
5C214001100J	4.0 X 2.5	1400	1100	
5C216001200J	4.0 X 2.5	1600	1200	

**3.2 X 3.2**

Article Code	Section (mm)	Length (mm)	Power (W)	Availability
5C402500175X	3.2 X 3.2	250	175	
5C403000200X	3.2 X 3.2	300	200	
5C403500225X	3.2 X 3.2	350	225	
5C404000250X	3.2 X 3.2	400	250	
5C404500290X	3.2 X 3.2	450	290	
5C405000330X	3.2 X 3.2	500	330	
5C406000400X	3.2 X 3.2	600	400	
5C407000470X	3.2 X 3.2	700	470	
5C408000550X	3.2 X 3.2	800	550	
5C409000620X	3.2 X 3.2	900	620	
5C410000700X	3.2 X 3.2	1000	700	
5C412000850X	3.2 X 3.2	1200	850	
5C414000950X	3.2 X 3.2	1400	950	
5C416001100X	3.2 X 3.2	1600	1100	
5C418001200X	3.2 X 3.2	1800	1200	

**3.2 X 3.2 + K thermocouple**

Article Code	Section (mm)	Length (mm)	Power (W)	Availability
5C402500175K	3.2 X 3.2	250	175	
5C403000200K	3.2 X 3.2	300	200	
5C403000225K	3.2 X 3.2	350	225	
5C404000250K	3.2 X 3.2	400	250	
5C404500290K	3.2 X 3.2	450	290	
5C405000330K	3.2 X 3.2	500	330	
5C406000400K	3.2 X 3.2	600	400	
5C407000470K	3.2 X 3.2	700	470	
5C408000550K	3.2 X 3.2	800	550	
5C409000620K	3.2 X 3.2	900	620	
5C410000700K	3.2 X 3.2	1000	700	
5C412000850K	3.2 X 3.2	1200	850	
5C414000950K	3.2 X 3.2	1400	950	
5C416001100K	3.2 X 3.2	1600	1100	
5C418001200K	3.2 X 3.2	1800	1200	



PLASTICS

3.2 X 3.2 + J thermocouple

Article Code	Section (mm)	Length (mm)	Power (W)	Availability
5C402500175J	3.2 X 3.2	250	175	
5C403000200J	3.2 X 3.2	300	200	
5C403500225J	3.2 X 3.2	350	225	
5C404000250J	3.2 X 3.2	400	250	
5C404500290J	3.2 X 3.2	450	290	
5C405000330J	3.2 X 3.2	500	330	
5C406000400J	3.2 X 3.2	600	400	
5C407000470J	3.2 X 3.2	700	470	
5C408000550J	3.2 X 3.2	800	550	
5C409000620J	3.2 X 3.2	900	620	
5C410000700J	3.2 X 3.2	1000	700	
5C412000850J	3.2 X 3.2	1200	850	
5C414000950J	3.2 X 3.2	1400	950	
5C416001100J	3.2 X 3.2	1600	1100	
5C418001200J	3.2 X 3.2	1800	1200	

Ø 4

Article Code	Section (mm)	Length (mm)	Power (W)	Availability
5C604000200X	DIAM: 4	400	200	
5C605500315X	DIAM: 4	550	315	
5C607500400X	DIAM: 4	750	400	
5C609500500X	DIAM: 4	950	500	
5C611500630X	DIAM: 4	1150	630	
5C613500750X	DIAM: 4	1350	750	
5C616501000X	DIAM: 4	1650	1000	
5C618501200X	DIAM: 4	1850	1200	

Ø 4 + Termocoppia J

Article Code	Section (mm)	Length (mm)	Power (W)	Availability
5C604000200J	DIAM: 4	400	200	
5C605500315J	DIAM: 4	550	315	
5C607500400J	DIAM: 4	750	400	
5C609500500J	DIAM: 4	950	500	
5C611500630J	DIAM: 4	1150	630	
5C613500750J	DIAM: 4	1350	750	
5C616501000J	DIAM: 4	1650	1000	
5C618501200J	DIAM: 4	1850	1200	

○ Ø 3.1

PLASTICS

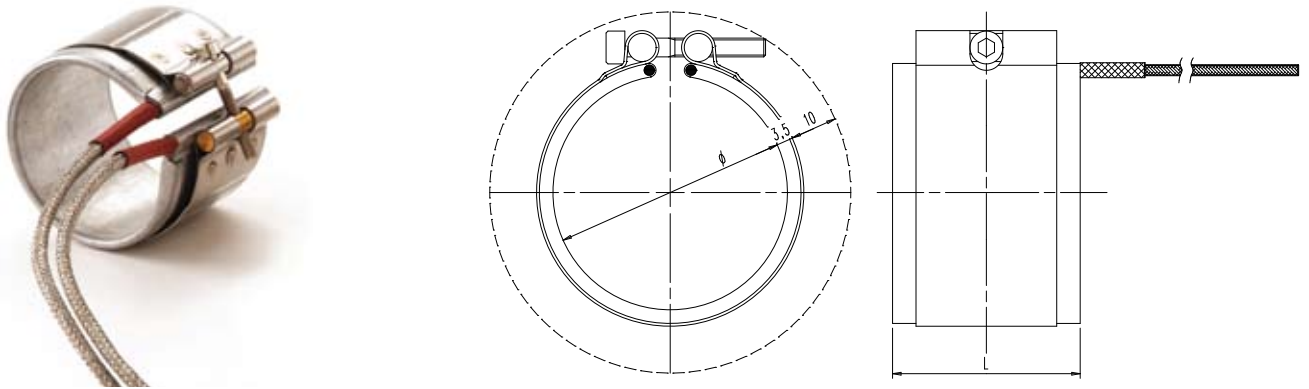
Article Code	Section (mm)	Length (mm)	Power (W)	Availability
5C704000180X	DIAM: 3.1	400	180	
5C705500250X	DIAM: 3.1	550	250	
5C706500315X	DIAM: 3.1	650	315	
5C708000400X	DIAM: 3.1	800	400	

○ Ø 3.1 + J thermocouple

Article Code	Section (mm)	Length (mm)	Power (W)	Availability
5C704000180J	DIAM: 3.1	400	180	
5C705500250J	DIAM: 3.1	550	250	
5C706500315J	DIAM: 3.1	650	315	
5C708000400J	DIAM: 3.1	800	400	



## NOZZLE BAND HEATER – Small dimension



This type of band heater is used in the plastics field especially where there is little room to apply the heaters on the nozzle.

- The available codes adopt a standard cable length of 500mm, working voltage is 230 Volt.
- Axial exit leads

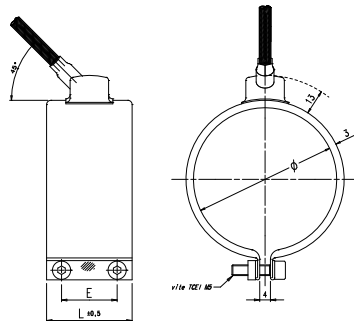
Article Code	Diameter (mm)	Length (mm)	Power (W)	Availability
1FUSDXFSA001	25	25	90	
1FUSDXFSA005	25	30	115	
1FUSDXFSA010	25	35	125	
1FUSDXFSA015	25	40	190	
1FUSDXFSB020	30	20	85	
1FUSDXFSB025	30	30	155	
1FUSDXFSB030	30	40	205	
1FUSDXFSB035	30	50	235	
1FUSDXFSB040	30	60	285	
1FUSDXFSC045	35	20	100	
1FUSDXFSC050	35	25	150	
1FUSDXFSC055	35	40	240	
1FUSDXFSD060	40	20	120	
1FUSDXFSD065	40	30	205	
1FUSDXFSD070	40	35	240	
1FUSDXFSD075	40	40	275	
1FUSDXFSD080	40	45	310	
1FUSDXFSD085	40	50	350	
1FUSDXFSD090	40	60	415	

PLASTICS

Article Code	Diameter (mm)	Length (mm)	Power (W)	Availability
1FUSDXFSE095	45	25	190	
1FUSDXFSE100	45	35	270	
1FUSDXFSE105	45	45	345	
1FUSDXFSF110	50	30	255	
1FUSDXFSF115	50	40	345	
1FUSDXFSF120	50	50	430	
1FUSDXFSG125	60	30	310	
1FUSDXFSG130	60	40	410	
1FUSDXFSG135	60	50	515	
1FUSDXFSG140	60	60	620	
1FUSDXFSH145	70	25	300	
1FUSDXFSH150	70	35	420	
1FUSDXFSH155	70	60	725	
1FUSDXFSI160	90	40	620	
1FUSDXFSL165	100	20	345	
1FUSDXFSL170	100	30	515	



## NOZZLE BAND HEATER - sealed cup



This type of band heater is used in injection plastic machines especially where corrosive plastic materials are used (E.g. PVC, PTF, ABS).

- braze welded cap in AISI 304,
- specific power up to 6 W/cm<sup>2</sup>;
- standard length cable (2 phases+ ground) is 500 mm
- working voltage is 230 Volt
- 45° axial exit cable

Article Code	Diameter (mm)	Length (mm)	Power (W)	Availability
1FUSAXFSA001	25	25	85	
1FUSAXFSA005	25	30	130	
1FUSAXFSA010	25	35	125	
1FUSAXFSA015	25	38	145	
1FUSAXFSA020	25	40	190	
1FUSAXFSA025	25	50	240	
1FUSAXFSA030	25	70	260	
1FUSAXFSB040	26	30	115	
1FUSAXFSB045	26	35	135	
1FUSAXFSC050	28	25	90	
1FUSAXFSC055	28	30	130	
1FUSAXFSC060	28	35	135	
1FUSAXFSC065	28	38	190	
1FUSAXFSC070	28	50	250	
1FUSAXFSD075	30	25	125	
1FUSAXFSD080	30	30	100	
1FUSAXFSD085	30	35	150	
1FUSAXFSD090	30	35	160	
1FUSAXFSD095	30	38	185	

PLASTICS

Article Code	Diameter (mm)	Length (mm)	Power (W)	Availability
1FUSAXFSD110	30	40	200	
1FUSAXFSD115	30	50	250	
1FUSAXFSD120	30	60	285	
1FUSAXFSD125	30	65	310	
1FUSAXFSE130	32	25	115	
1FUSAXFSE135	32	30	145	
1FUSAXFSE140	32	35	170	
1FUSAXFSE145	32	38	195	
1FUSAXFSE150	32	40	230	
1FUSAXFSE155	32	50	250	
1FUSAXFSE160	32	60	300	
1FUSAXFSF165	35	25	150	
1FUSAXFSF170	35	30	150	
1FUSAXFSF175	35	35	210	
1FUSAXFSF180	35	38	210	
1FUSAXFSF185	35	40	250	
1FUSAXFSF190	35	45	270	
1FUSAXFSF195	35	50	300	
1FUSAXFSF200	35	60	350	
1FUSAXFSG205	38	25	140	
1FUSAXFSG210	38	35	200	
1FUSAXFSG215	38	38	235	
1FUSAXFSG220	38	40	270	
1FUSAXFSG225	38	50	345	
1FUSAXFSH230	40	25	170	
1FUSAXFSH235	40	30	200	
1FUSAXFSH240	40	35	240	
1FUSAXFSH245	40	38	270	
1FUSAXFSH250	40	40	200	
1FUSAXFSH255	40	45	250	
1FUSAXFSH260	40	50	300	
1FUSAXFSH265	40	55	350	
1FUSAXFSH270	40	60	400	
1FUSAXFSH275	40	65	430	
1FUSAXFSH280	40	70	450	
1FUSAXFSI285	42	25	180	
1FUSAXFSI290	42	30	215	
1FUSAXFSI295	42	35	250	
1FUSAXFSI300	42	38	260	
1FUSAXFSI305	42	40	290	
1FUSAXFSI325	42	50	330	



PLASTICS

Article Code	Diameter (mm)	Length (mm)	Power (W)	Availability
1FUSAXFSJ330	45	25	190	
1FUSAXFSJ335	45	30	230	
1FUSAXFSJ340	45	35	270	
1FUSAXFSJ345	45	38	300	
1FUSAXFSJ350	45	40	310	
1FUSAXFSJ355	45	45	345	
1FUSAXFSJ360	45	50	385	
1FUSAXFSJ365	45	55	385	
1FUSAXFSJ370	45	60	420	
1FUSAXFSK375	48	25	180	
1FUSAXFSK380	48	50	380	
1FUSAXFSL385	50	25	215	
1FUSAXFSL390	50	30	210	
1FUSAXFSL395	50	35	270	
1FUSAXFSL400	50	38	310	
1FUSAXFSL405	50	40	300	
1FUSAXFSL410	50	45	350	
1FUSAXFSL415	50	50	400	
1FUSAXFSL420	50	60	475	
1FUSAXFSL425	50	65	510	
1FUSAXFSL430	50	70	560	
1FUSAXFSL435	50	75	600	
1FUSAXFSM440	55	25	120	
1FUSAXFSM445	55	30	240	
1FUSAXFSM450	55	35	330	
1FUSAXFSM455	55	38	335	
1FUSAXFSM460	55	40	300	
1FUSAXFSM465	55	45	380	
1FUSAXFSM470	55	50	400	
1FUSAXFSM475	55	60	565	
1FUSAXFSN480	56	25	270	
1FUSAXFSN485	56	38	350	
1FUSAXFSN490	56	40	430	
1FUSAXFSO500	60	25	250	
1FUSAXFSO505	60	30	290	
1FUSAXFSO510	60	35	350	
1FUSAXFSO515	60	38	375	
1FUSAXFSO520	60	40	380	
1FUSAXFSO525	60	50	450	
1FUSAXFSO530	60	55	525	
1FUSAXFSO535	60	60	570	
1FUSAXFSO540	60	80	780	

Article Code	Diameter (mm)	Length (mm)	Power (W)	Availability
1FUSAXFSP585	65	25	280	
1FUSAXFSP590	65	30	335	
1FUSAXFSP595	65	35	390	
1FUSAXFSP600	65	38	400	
1FUSAXFSP605	65	40	445	
1FUSAXFSP610	65	45	455	
1FUSAXFSP615	65	50	560	
1FUSAXFSP620	65	60	670	
1FUSAXFSQ625	68	30	380	
1FUSAXFSR630	70	22	300	
1FUSAXFSR635	70	25	300	
1FUSAXFSR640	70	30	360	
1FUSAXFSR645	70	35	420	
1FUSAXFSR650	70	38	440	
1FUSAXFSR655	70	40	480	
1FUSAXFSR660	70	45	500	
1FUSAXFSR665	70	50	600	
1FUSAXFSR670	70	60	725	
1FUSAXFSR675	70	65	730	
1FUSAXFSR680	70	70	785	
1FUSAXFSS690	75	25	320	
1FUSAXFSS695	75	30	385	
1FUSAXFSS700	75	35	450	
1FUSAXFSS705	75	40	515	
1FUSAXFSS710	75	50	645	
1FUSAXFSS715	75	60	775	
1FUSAXFST720	80	25	345	
1FUSAXFST725	80	30	410	
1FUSAXFST730	80	35	480	
1FUSAXFST735	80	38	500	
1FUSAXFST740	80	40	550	
1FUSAXFST745	80	45	570	
1FUSAXFST750	80	50	690	
1FUSAXFST755	80	60	825	

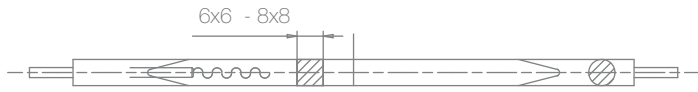
PLASTICS

Article Code	Diameter (mm)	Length (mm)	Power (W)	Availability
1FUSAXFSU760	85	25	365	
1FUSAXFSU795	85	30	440	
1FUSAXFSU800	85	35	510	
1FUSAXFSU805	85	40	585	
1FUSAXFSU810	85	50	730	
1FUSAXFSU815	85	60	880	
1FUSAXFSV820	90	25	385	
1FUSAXFSV825	90	30	465	
1FUSAXFSV830	90	35	540	
1FUSAXFSV835	90	40	620	
1FUSAXFSV840	90	45	645	
1FUSAXFSV845	90	50	775	
1FUSAXFSV850	90	60	930	
1FUSAXFSW855	95	25	410	
1FUSAXFSW860	95	30	490	
1FUSAXFSW865	95	35	570	
1FUSAXFSW870	95	38	590	
1FUSAXFSW875	95	40	655	
1FUSAXFSW880	95	50	820	
1FUSAXFSW885	95	55	830	
1FUSAXFSW890	95	60	980	
1FUSAXFSX900	100	25	430	
1FUSAXFSX905	100	30	515	
1FUSAXFSX910	100	35	600	
1FUSAXFSX915	100	38	630	
1FUSAXFSX920	100	40	690	
1FUSAXFSX925	100	50	860	
1FUSAXFSX930	100	55	885	
1FUSAXFSX935	100	60	1030	

## TUBULAR HEATERS

### Square section

PLASTICS



Tubular heating elements are formed by a resistive wire in Ni-Cr inside a compacted magnesium oxide insulation and protected by an inox external sheath.

They guarantee a perfect heat exchange.

The tubular heating elements have an utmost versatility in terms of minimum bendings and easy use, in order to satisfy the specific requests of moulds and hot-runner applications.

Available sections (mm)	External sheath	Max specific power	Connections
6x6 e 8x8	AISI 304 - AISI 321 Nichel	7 W/cm <sup>2</sup>	- leads Ts2vt (Max. Temp. 250°C) - M4, M5 plates

Minimum bending radius	
6x6 15 mm	8x8 20mm

It is recommended that the heating zone will be completely inside the hollow of the manifold and to respect minimum radius of bending.

Article Code	Diameter (mm)	Length (mm)	Power (W)	Availability
1TNK1X915001	6 x 6	350	500	
1TNK1X915002	6 x 6	400	650	
1TNK1X915003	6 x 6	450	750	
1TNK1X915004	6 x 6	500	800	
1TNK1X915005	6 x 6	550	900	
1TNK1X915006	6 x 6	600	1000	
1TNK1X915007	6 x 6	600	1350	
1TNK1X915008	6 x 6	650	1100	
1TNK1X915009	6 x 6	650	1450	
1TNK1X915010	6 x 6	700	1200	
1TNK1X915011	6 x 6	750	1300	
1TNK1X915012	6 x 6	800	1350	
1TNK1X915013	6 x 6	850	1450	
1TNK1X915014	6 x 6	900	1550	
1TNK1X915015	6 x 6	950	1650	
1TNK1X915016	6 x 6	1000	1750	
1TNK1X915017	6 x 6	1050	1850	
1TNK1X915018	6 x 6	1100	1950	
1TNK1X915019	6 x 6	1150	2050	
1TNK1X915020	6 x 6	1200	2100	
1TNK1X915021	6 x 6	1250	2200	
1TNK1X915022	6 x 6	1300	2300	
1TNK1X915023	6 x 6	1350	2400	
1TNK1X915024	6 x 6	1400	2500	
1TNK1X915025	6 x 6	1450	2600	
1TNK1X915026	6 x 6	1500	2700	
1TNK1X915027	6 x 6	1550	2800	





### RICA

Via Podgora, 26  
31029 Vittorio Veneto (TV) - Italy  
Tel. +39 0438 9101 - Fax +39 0438 912272 - 912236  
www.rica.it - rica@zoppas.com



### ELTRA HILZINGER

Robert - Bosch Strasse, 18  
64319 Pfungstadt - DEUTSCHLAND  
Tel. +49 6157 80080 - Fax +49 6157 85645  
eltra@zoppas.com



### IRCA AB

Cementvägen 4  
73432 Hallstahammar - Sweden  
Tel. +46 220 29810 - Fax +46 220 29819  
irca\_ab@zoppas.com



### RICA FRANCE

Zone d'Activité de la Croix St. Marc  
12, Rue Jacques Anquetil  
93600 Aulnay Sous Bois - FRANCE  
Tel. +33 1 48686473 - Fax +33 1 48799847  
rica\_fr@zoppas.com



### FOILPOINT OY

Kaivopuistontie 33  
FI-26101 RAUMA - FINLAND  
Tel. +358 2 822 3168 - Fax. +358 2 822 4672  
foilpoint@netti.fi



Zoppas Industries Romania S.r.l.

### Z.I.R.

Zoppas Industries Romania S.r.l.  
Drumul Cenadului, 24  
305600 Sannicolau Mare - ROMANIA  
Tel. +40 256 303800 - Fax +40 256 372513  
info@zoppas.com



### ELTERM

Estrada Dr. Cicero Borges de Morais, 584  
06407 Barueri - Sao Paulo - BRAZIL  
Tel. +55 11 4198 3370 - Fax +55 11 4198 4210  
elterm@elterm.zoppas-industries.it



Zoppas Industries de México, S.A. de C.V.

### ZIM

Circuito México n. 120  
Parque Industrial Tres Naciones - Zona Industrial del Potosi  
78395 San Lusi Potosi, S.L.P. Mexico  
Tel. +52 444 834 7100 - Fax +52 444 824 0185  
Toll Free from Usa e Canada #866 4423191  
zim@zoppas.com



Zoppas Industries Hangzhou Ltd

### ZIH

Hangzhou Xiasha  
Economic & Technology Development Zone,  
N° 3 Road 14 - 310018 Hangzhou  
Zhejiang Province P.R. of CHINA  
Tel. +86 571 8691 2056 - Fax +86 571 8691 2672  
zih@zoppas.com





HEATING SYSTEMS	COMMERCIAL & COMFORT	COLD	ETCHED FOIL	<b>PLASTICS</b>	ELECTRONICS
-----------------	----------------------	------	-------------	-----------------	-------------