



As a RICA Partner

- You will experience our 3xC-concept (Cost Cutting Cooperation).
- You will have access to our state-of-the-art laboratory facilities, enabling +30 years design life and lowering your maintenance costs.
- You will benefit from our Global Quality System, from any of our factories in the world.
- You will have access to one of the widest product portfolios in the world within Heating Element Technology.
- We put our almost 50 years of experience and technical skills at your disposal.
- You will benefit from RICA's global presence - lowering your logistic costs.
- You will experience that products are 3. party certified – applicable globally.

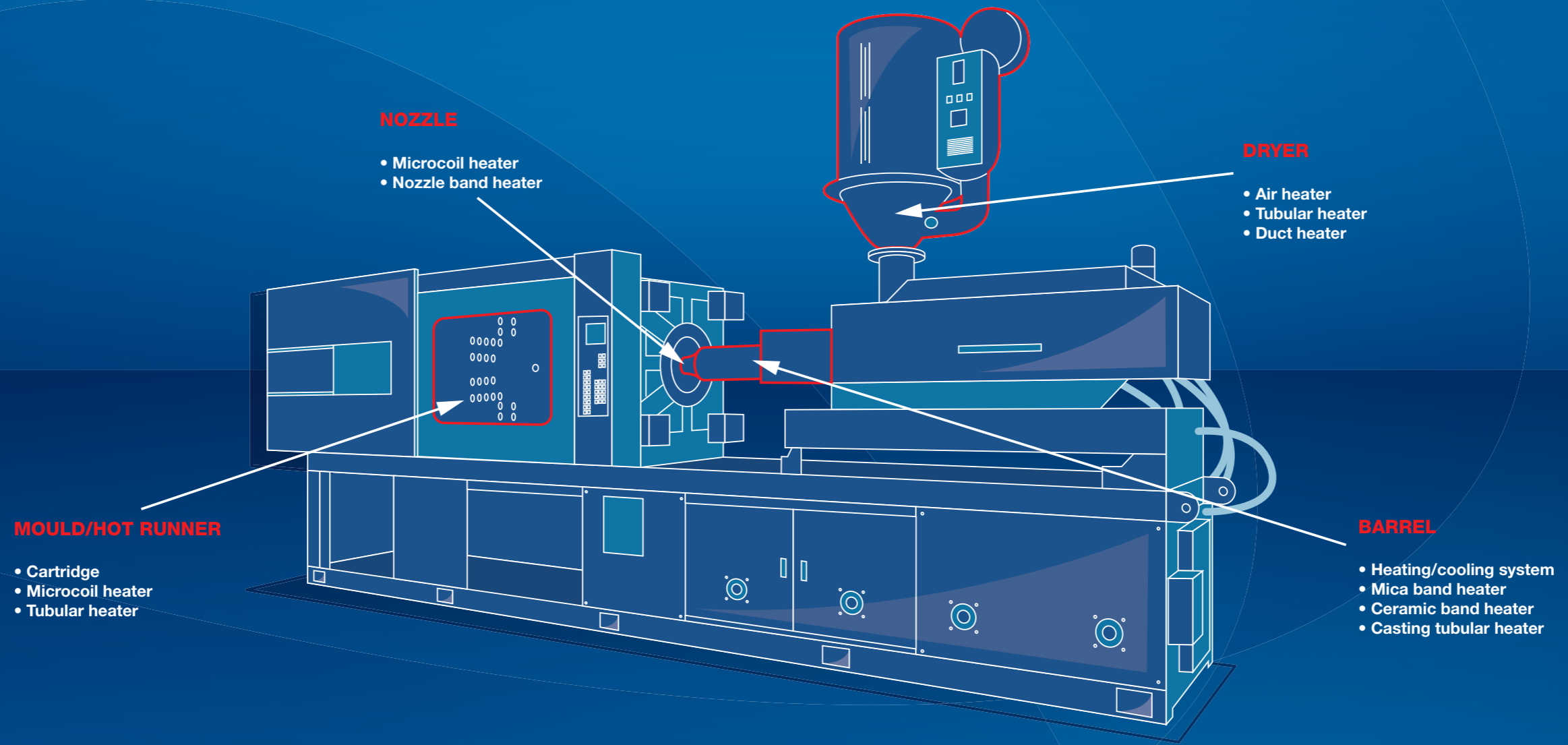
We at RICA put you in the front seat of the globalisation – sourcing you globally.



The compliance with the mark of each specific product must be properly verified together with our Sales Department

PLASTIC MACHINES

PLASTICS



Duct heater



Nozzle band heater



Cartridge



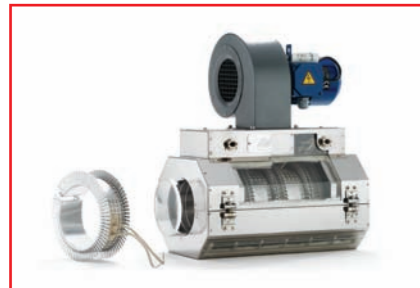
Mica band heater



Microcoil heater



Air heater



Heating/cooling system



Casting tubular heater



Cartridge



Ceramic band heater



Tubular heater



Tubular heater

