

ATLANTIS

INSTALLATION, UNINSTALLATION

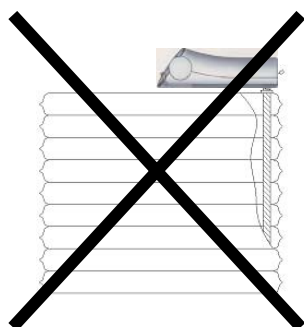


ATLANTIS INSTALLATION

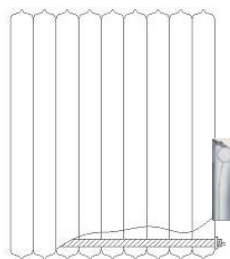
General rools:



- **ATTENTION:** this appliance must be installed only by expert technicians and comply with all national safety regulation and laws in force into the country where the product is installed.
- This appliance must be installed respecting condiction and enviroment properties described in techincal details document.
- Do not install this appliance with the control box over the radiator. This can damage the electronic control box.
- This appliance must be installed coupling with a particular heating element. The metallic part of this appliance has to be mounted over a surface with a maximum temperature limit of 80°C (hottest montign surface temperature for good heat conducting)



NO



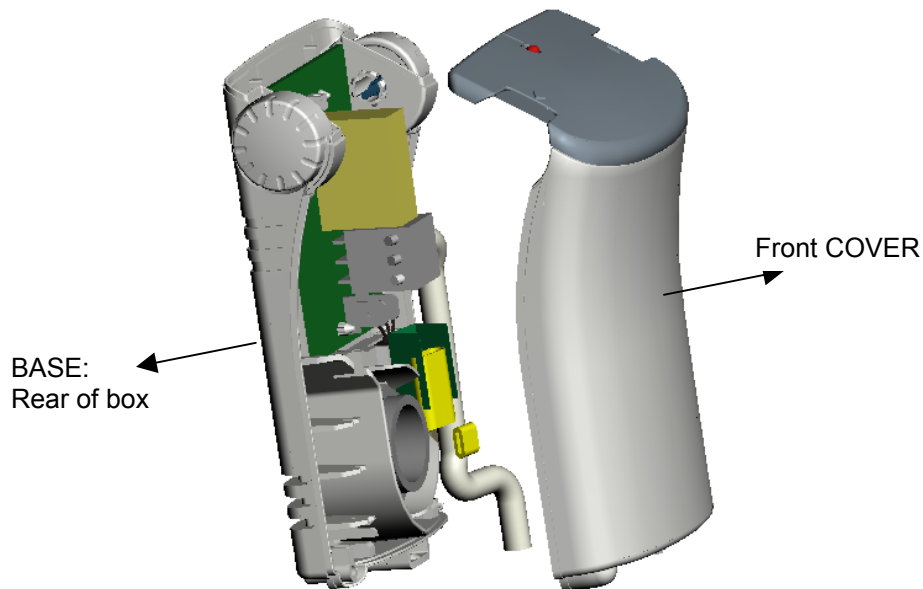
YES

- Electronic control box must be supply only with 230V. Make sure that, during the installation, the connections must have the following color:

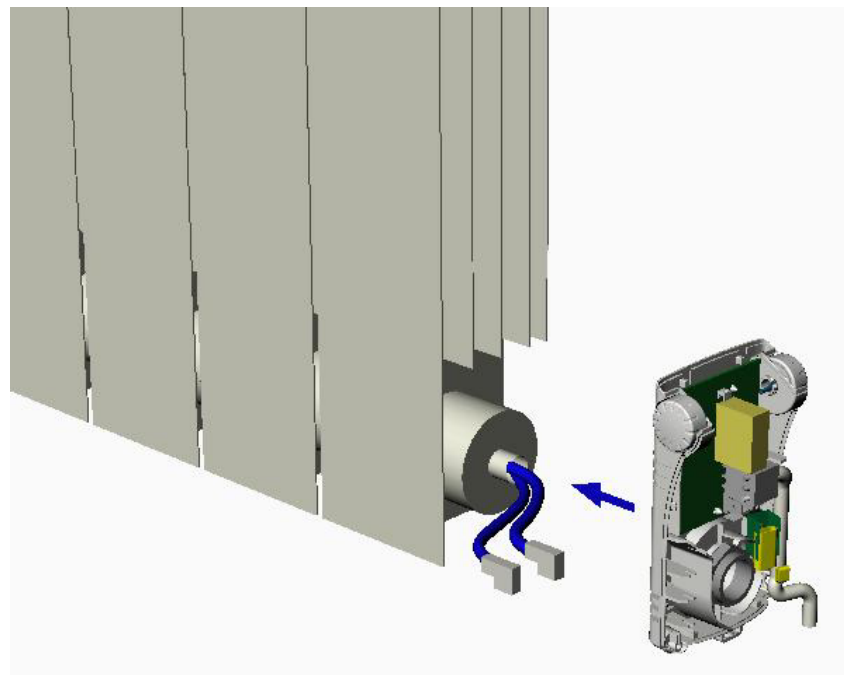
BROWN	LINE
BLUE OR GRAY	NEUTER
BLACK	FIL PILOTE COMMANDS
YELLOW/GREEN	EARTH (ONLY FOR CLASS I)

Installation steps:

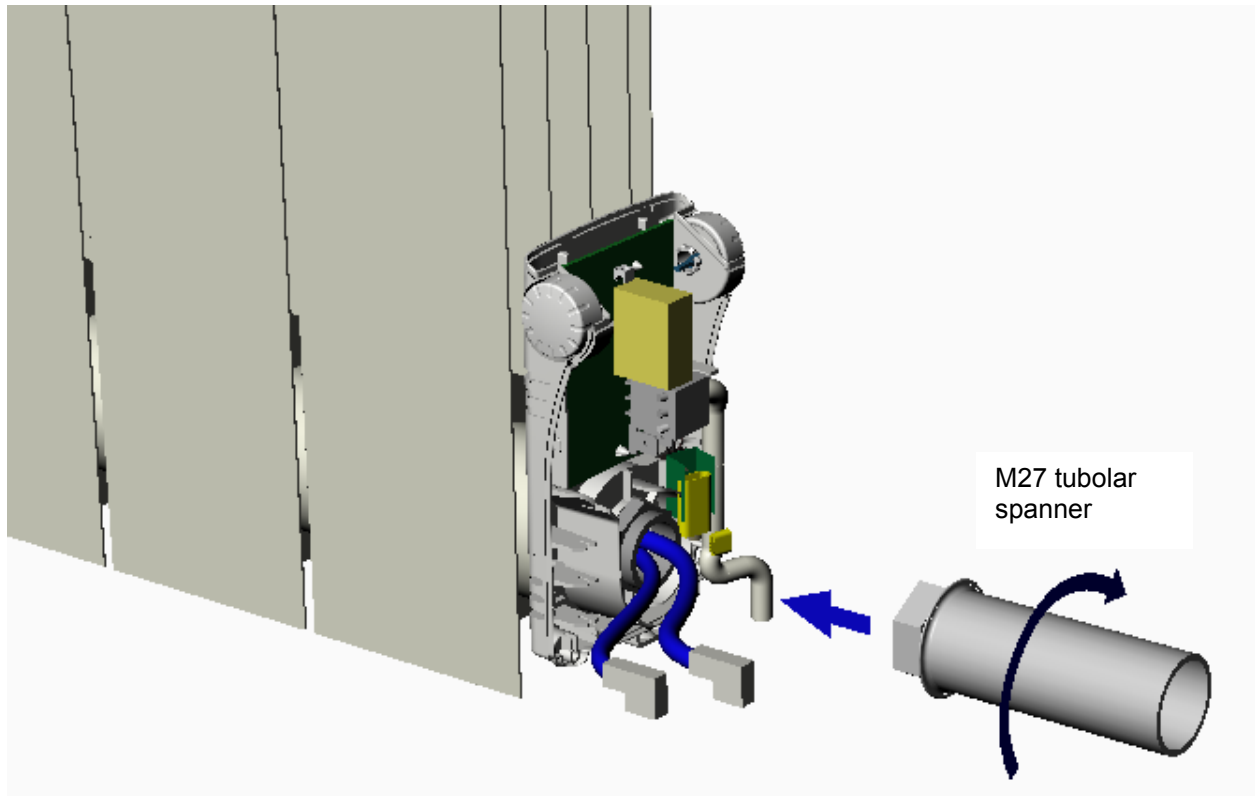
- 1) Take the electronic box from the package and handle it with care. Separate the rear of the Atlantis box from the front cover.



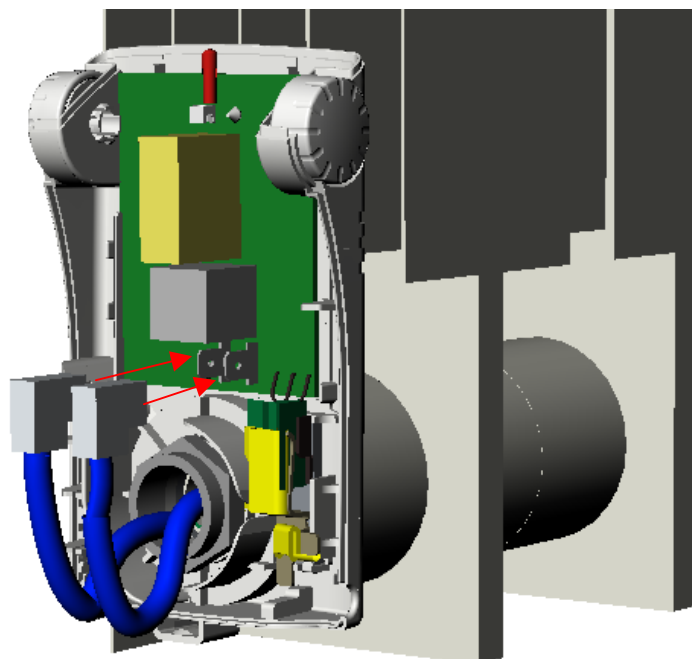
- 2) Place the rear of Atlantis to the heater inserting the cables of the heater's resistor in the hole of the box (put also the earth cable from the cartridge into the Atlantis hole, for class I appliance).



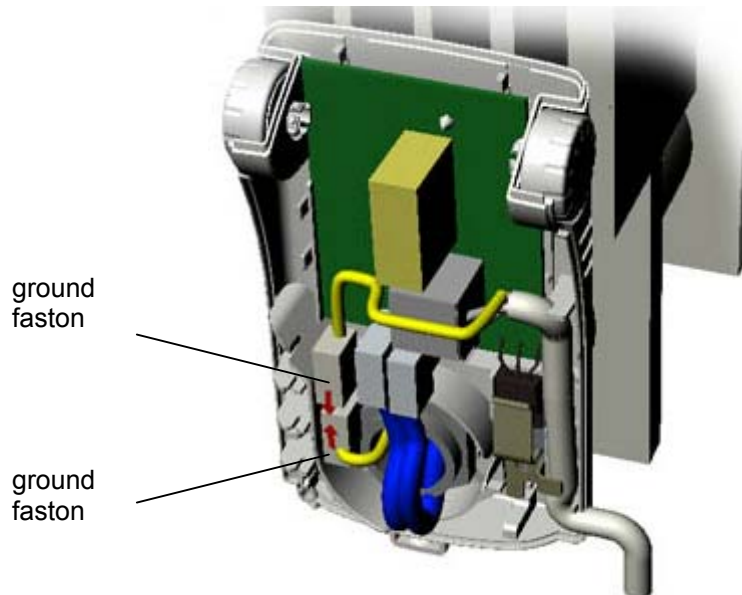
- 3) Install the bolt using only a M27 tubular spanner, close the bolt with a minimum of 20÷25 Nm rotation strength, and at the same time holding the box with a hand while tightening.



- 4) Connect the two internal faston for heating element (see the following figure).

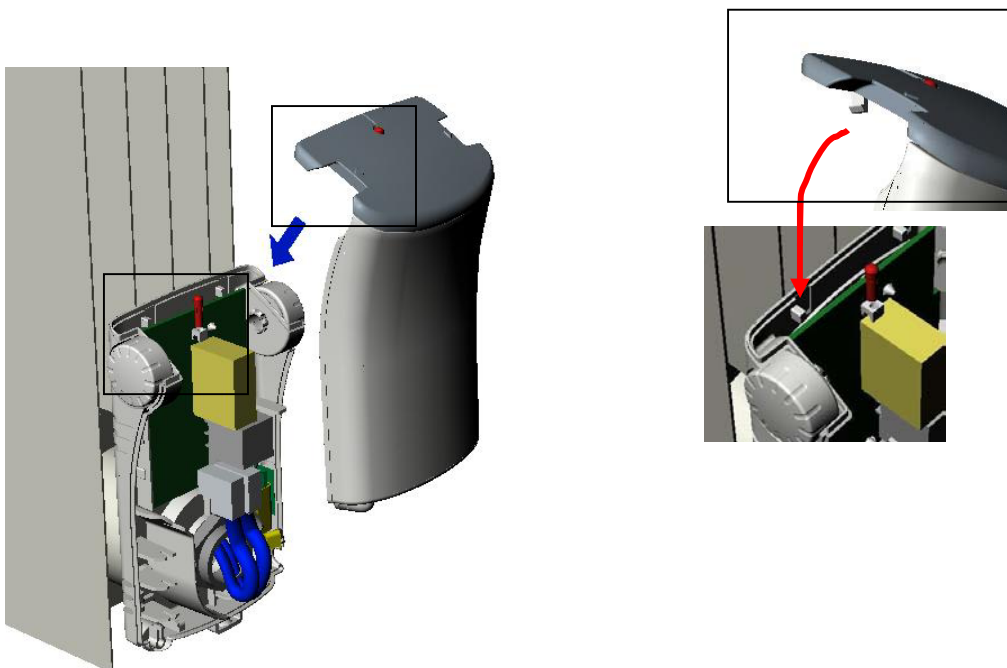


4.2) For class I appliance only, connect also the earth cable from the cartridge with the Atlantis earth cable yellow/green.

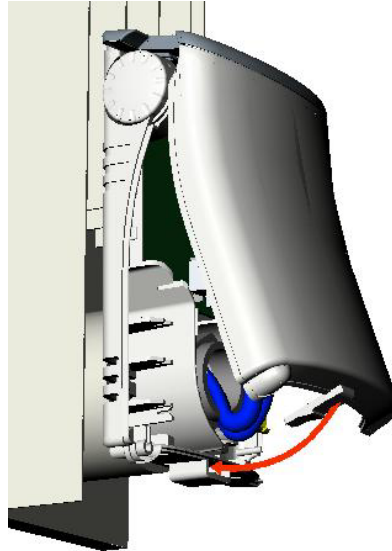


5) Close the box with the front cover:

5.1) Insert the front cover hooks, as shown below, into the base:



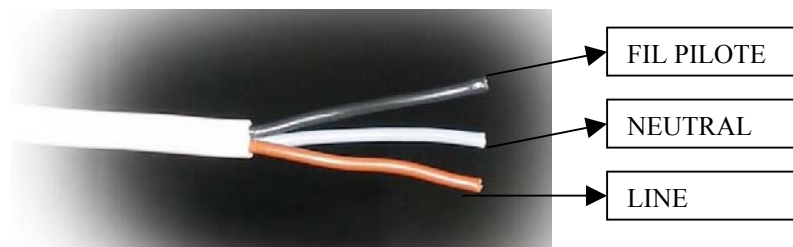
5.2) Close the box turning the lower part of the front cover, until a “klik” is listening.



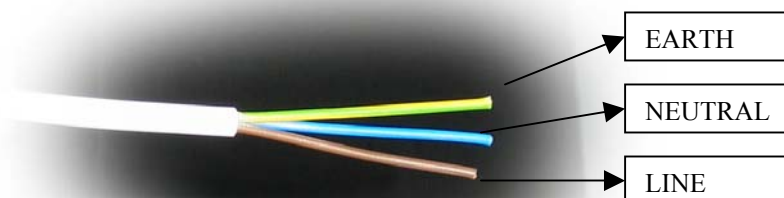
ATTENTION: after this operation, the control box cannot be open without brake plastic parts.

6) Connect the thermostat’s cable to the main power as follow pictures describe:

6.1) for class II appliance with Fil Pilote commands.

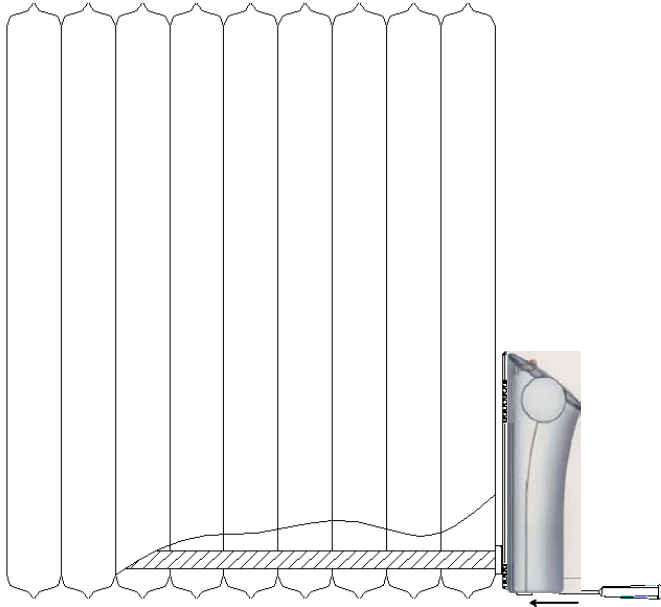


6.2) for class I appliance with green/yellow wire.

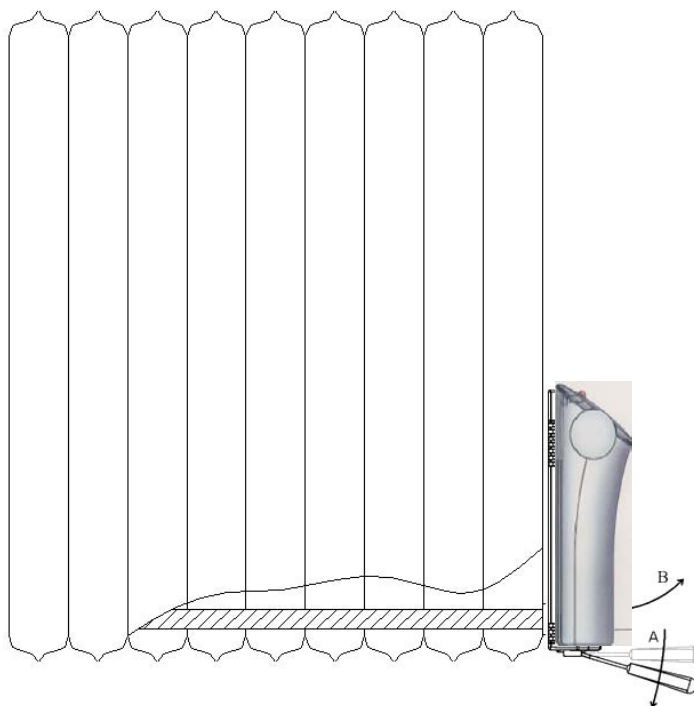


ATLANTIS UNINSTALL

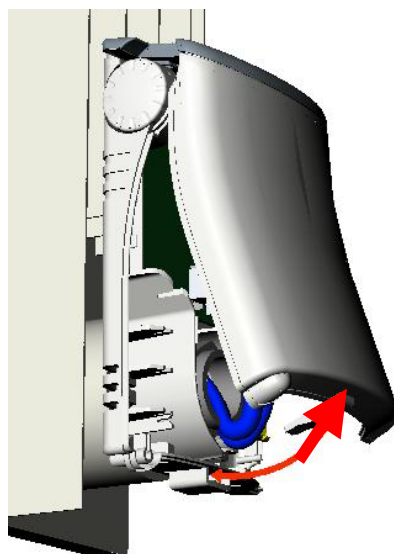
- 1) Disconnect the thermostat's cable from the main power.
- 2) Open the front cover. To open the box use a screw driver (3x50), insert it into the eyelet.



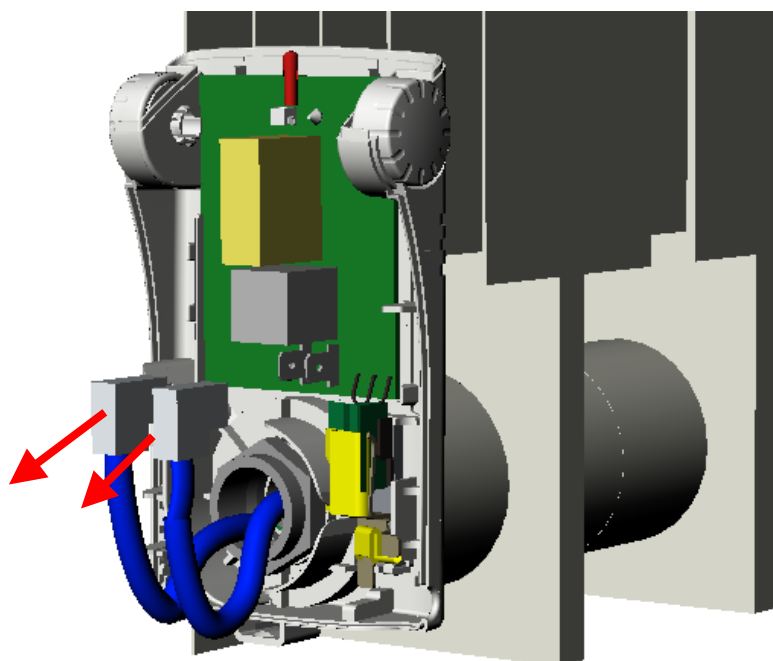
- 3) Turn the screwdriver (A) as the following figure shows, at the same time pull the cover (B) to separate it from the base. This operation will brake the box.



4) Open the box turning the lower part of the front cover.



4) Disconnect the two internal faston for heating element (see the following figure).



5) Uninstall the bolt using only a M27 tubular spanner and remove the rear of the box.